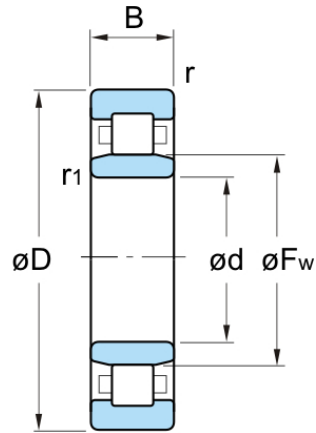


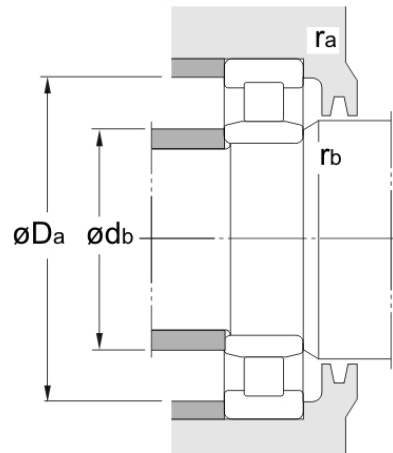


FOR REFERENCE ONLY

Cylindrical roller bearings - Single-row - NU



■ mounting dimensions



Bearing No. NU2209

Boundary dimensions(mm)	d	45
	D	85
	B	23
	r(min)	1.1
	r1(min)	1.1
Basic load ratings(kN)	Cr	76.6
	C0r	67.8
Fatigue load limit(kN)	Cu	9.60
Limiting speeds(min-1)	Grease lub.	6900
	Oil lub.	9200
Dimensions(mm)	Fw	55
	Ew	-
	d1	-
	B1	-
	B2	-
Mounting dimensions(mm)	da(min)	-
	db(min)	51.5
	db(max)	54
	dc(min)	-
	dd(min)	-
	Da(max)	78.5
	Db(max)	-
	Db(min)	-
	ra(max)	1
	rb(max)	1
(Refér.)Mass(kg)		0.536

**JTEKT** | JTEKT CORPORATION

2015. 11. 25.