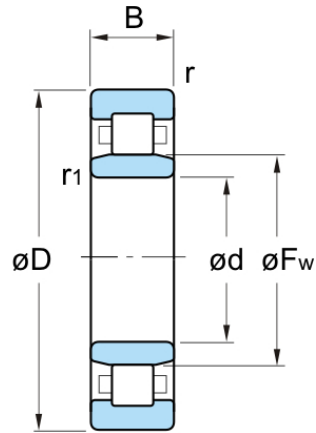


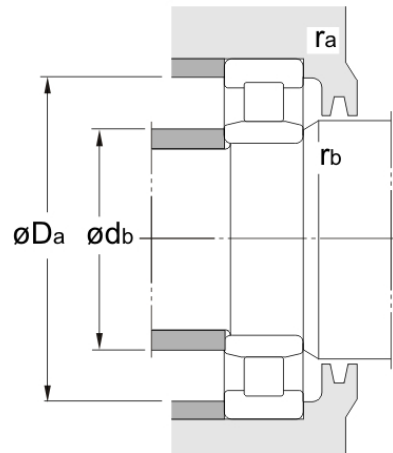


FOR REFERENCE ONLY

Cylindrical roller bearings - Single-row - NU



■ mounting dimensions



Bearing No. NU2217

Boundary dimensions(mm)	d	85
	D	150
	B	36
	r(min)	2
	r1(min)	2
Basic load ratings(kN)	Cr	212
	C0r	218
Fatigue load limit(kN)	Cu	31.6
Limiting speeds(min-1)	Grease lub.	3800
	Oil lub.	5000
Dimensions(mm)	Fw	101.8
	Ew	-
	d1	-
	B1	-
	B2	-
Mounting dimensions(mm)	da(min)	-
	db(min)	94
	db(max)	99
	dc(min)	-
	dd(min)	-
	Da(max)	141
	Db(max)	-
	Db(min)	-
	ra(max)	2
	rb(max)	2
(Refér.)Mass(kg)		2.50

**JTEKT** | JTEKT CORPORATION

2015. 11. 25.