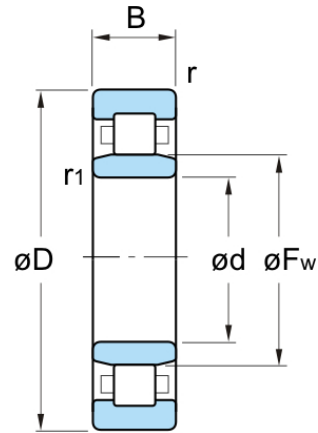


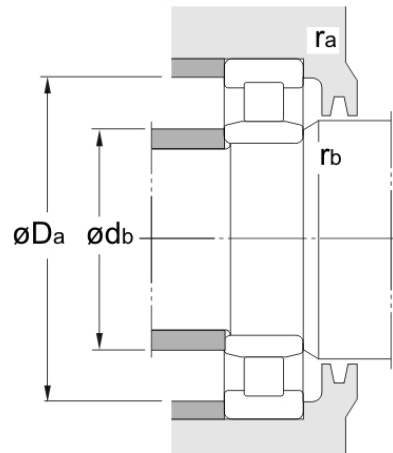


FOR REFERENCE ONLY

Cylindrical roller bearings - Single-row - NU



■ mounting dimensions



Bearing No. NU2316

Boundary dimensions(mm)	d	80
	D	170
	B	58
	r(min)	2.1
	r1(min)	2.1
Basic load ratings(kN)	Cr	343
	C0r	332
Fatigue load limit(kN)	Cu	46.9
Limiting speeds(min-1)	Grease lub.	3100
	Oil lub.	4700
Dimensions(mm)	Fw	103
	Ew	-
	d1	-
	B1	-
	B2	-
Mounting dimensions(mm)	da(min)	-
	db(min)	91
	db(max)	99
	dc(min)	-
	dd(min)	-
	Da(max)	159
	Db(max)	-
	Db(min)	-
	ra(max)	2
	rb(max)	2
(Refér.)Mass(kg)		5.83

JTEKT | JTEKT CORPORATION

2015. 11. 25.