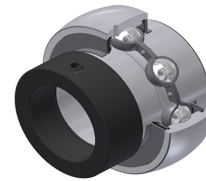
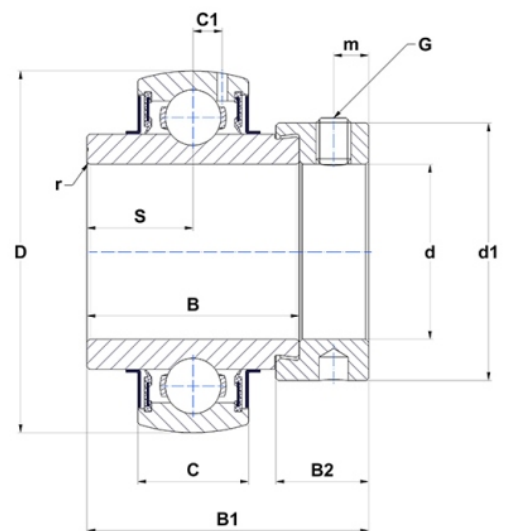


PDF technical sheet EX.211.G2



Insert bearings

Product definition	
B	55.40 mm
B1	71.30 mm
B2	20.70 mm
C	25 mm
d	55 mm
d1	74.50 mm
D	100 mm
G	M10x1,25
m	8 mm
r	1.5
S	27.70 mm
SW	5 mm



m.ncatalog.fo.featuresotherperformances	
C	43,550 daN
C0	29,200 daN
T min.	-20 °C
T max.	100 °C

Other features	
Weight	1.39 kg
Recommended tightening torque for set screw [Nm]	22 StrainEnergy_Nm