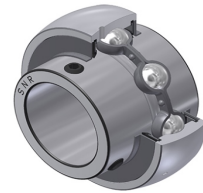
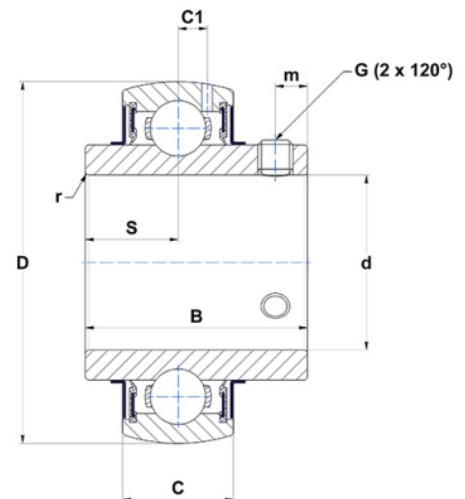


PDF technical sheet UC.210.G2



Insert bearings

Product definition	
B	51.60 mm
C	23 mm
d	50 mm
D	90 mm
G	M10x1,25
m	9 mm
r	1.1
S	19 mm
SW	5 mm



m.ncatalog.fo.featuresotherperformances	
C	35,100 daN
C0	23,200 daN
T min.	-20 °C
T max.	100 °C

Other features	
Weight	0.80 kg
Recommended tightening torque for set screw [Nm]	22 StrainEnergy_Nm